

SATAmijet® 4400 B RP®/HVLP



SATAmijet 4400 B RP / RP SR



Technical Data	Inlet pressure: 0.5 bar - 2.5 bar
	Air consumption at 2.5 bar: 200 NI/min
	Spray distance: 12 cm - 19 cm

Nozzle	0,5	1,4	1,6	0,8 SR	1,0 SR	1,2 SR
---------------	-----	-----	-----	--------	--------	--------

Standard / Spot Repair with 125 ccm QQC reusable plastic gravity flow cup

Art. No.	202416	198234	198242	198200	198218	198226		
-----------------	--------	--------	--------	--------	--------	--------	--	--

Spot repair with RPS disposable cup 0.3 l (2x)

Art. No.	-	-	-	202390	198358	198366		
-----------------	---	---	---	--------	--------	--------	--	--

Nozzle	0,5	1,4	1,6	0,8 SR	1,0 SR	1,2 SR
---------------	-----	-----	-----	--------	--------	--------

Nozzle set

Art. No.	202408	201319	201327	201285	201293	201301		
-----------------	--------	--------	--------	--------	--------	--------	--	--

SATAmijet 4400 B HVLP / HVLP SR



Technical Data	Inlet pressure: 0.5 bar - 2.0 bar
	Air consumption at 2.0 bar: 120 NI/min
	Spray distance: 12 cm - 15 cm

Nozzle	0,3	0,5	0,8	1,0	1,1	0,8 SR	1,0 SR	1,2 SR	1,4 SR
---------------	-----	-----	-----	-----	-----	--------	--------	--------	--------

Standard / Spot Repair with 125 ccm QQC reusable plastic gravity flow cup

Art. No.	197970	197988	197996	198002	198010	198069	198077	198085	198093		
-----------------	--------	--------	--------	--------	--------	--------	--------	--------	--------	--	--

Standard / Spot Repair with RPS disposable cup 0.3 l (2x)

Art. No.	-	-	-	-	-	198168	198176	198184	198192		
-----------------	---	---	---	---	---	--------	--------	--------	--------	--	--

Nozzle	0,3	0,5	0,8	1,0	1,1	0,8 SR	1,0 SR	1,2 SR	1,4 SR
---------------	-----	-----	-----	-----	-----	--------	--------	--------	--------

Nozzle set

Art. No.	201194	201202	201210	201228	201236	201244	201251	201269	201277		
-----------------	--------	--------	--------	--------	--------	--------	--------	--------	--------	--	--

198382	SATA design set with SATAmijet 4400 B HVLP 1.0									
---------------	--	--	--	--	--	--	--	--	--	--

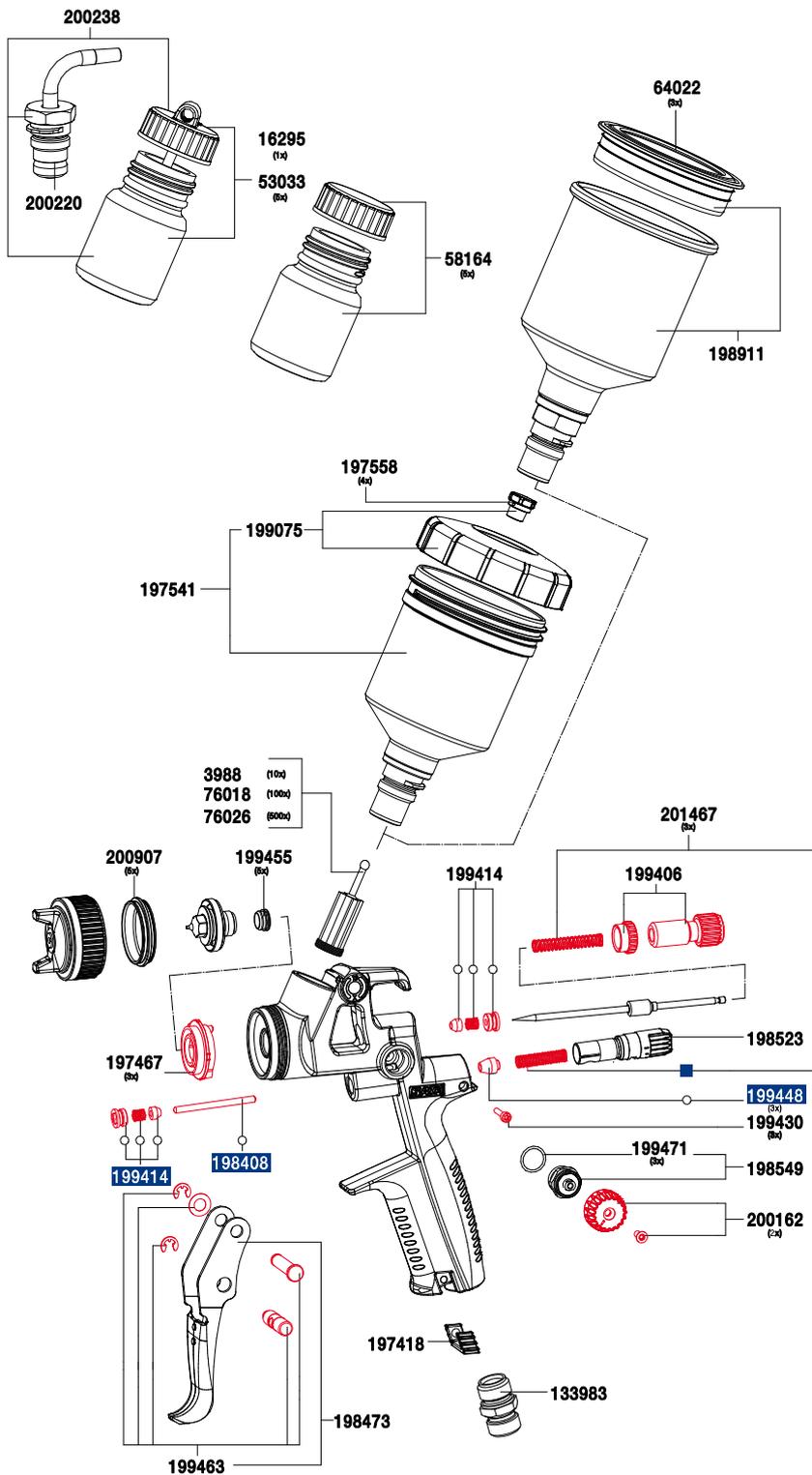
Spray fan comparison

SATAmijet 4400 B HVLP SATAmijet 4400 B RP for standard applications		SATAmijet 4400 B HVLP SR SATAmijet 4400 B RP SR especially for spot repair applications:	
1.1 HVLP (at 2.0 bar) Spray distance 15 cm	1.6 RP (at 2.5 bar) Spray distance 17 cm	1.2 HVLP SR (at 2.0 bar) Spray distance 15 cm	1.2 RP SR (at 2.5 bar) Spray distance 17 cm
 Wet core 15.5 cm	 Wet core 17.5-18.5 cm	 Wet core 19.5 cm	 Wet core 21-22 cm

All prices are recommended list prices. Errors, technical modifications and printing errors reserved.

Spare parts SATAmijnjet® 4400 B

Art. No./Descr.
3988
Paint strainer, 300 µm (packing unit 10 pieces)
16295
25 ml glass cup with plug-in cup
53033
25 ml glass cup with plug-in cup (packing unit 5 pieces)
58164
25 ml glass cup with blind lid (packing unit 5 pieces)
64022
Plastic lid (3 pieces)
76018
Paint strainer, 300 µm (packing unit 100 pieces)
76026
Paint strainer, 300 µm (packing unit 500 pieces)
133983
Air connection piece 1/4" male thread
197418
CCS Clips, green, blue, red, black (packing unit 4 pieces)
197467
Air distribution ring (packing unit 3 pieces)
197541
Reusable plastic cup, 0.125 l with QCC without fine thread
197558
Anti-drip device (packing unit 4 pieces)
198408
Air piston rod
198473
Trigger kit
198523
Air micrometer, complete
198549
Spindle for round / flat spray control
198911
Reusable aluminium cup, 0.15 l with QCC without fine thread
199075
Screw cap with drip catcher ring and anti-drip device
199406
Material flow control with counter nut
199414
Packing for paint needle and air piston rod
199430
Adjustment screw (packing unit 3 pieces) for air micrometer
199448
Air piston head (packing unit 3 pieces)
199455
Sealing element (packing unit 5 pieces) for fluid tip
199463
Trigger sleeve kit
199471
Gasket (packing unit 3 pieces) for spindle
201467
Pressure spring (each 3 pieces) for paint needle and air piston
200162
Control knob with screw (each 2 pieces)
200220
Plug-in cup connection with QCC
200238
25 ml glass cup with plug-in lid (packing unit 5 pieces) and QCC plug-in connection (packing unit 1 piece)
200907
Sealing ring (packing unit 5 pieces)



All prices are recommended list prices. Errors, technical modifications and printing errors reserved.

Art. No./Descr.
198572
Tool kit
• Universal spanner
• Combi tool
• Cleaning brush
• Paint strainer
• Extraction tool

Art. No./Descr.
198614
Repair kit
199422
Air piston service unit
○ 200246
Sealing kit