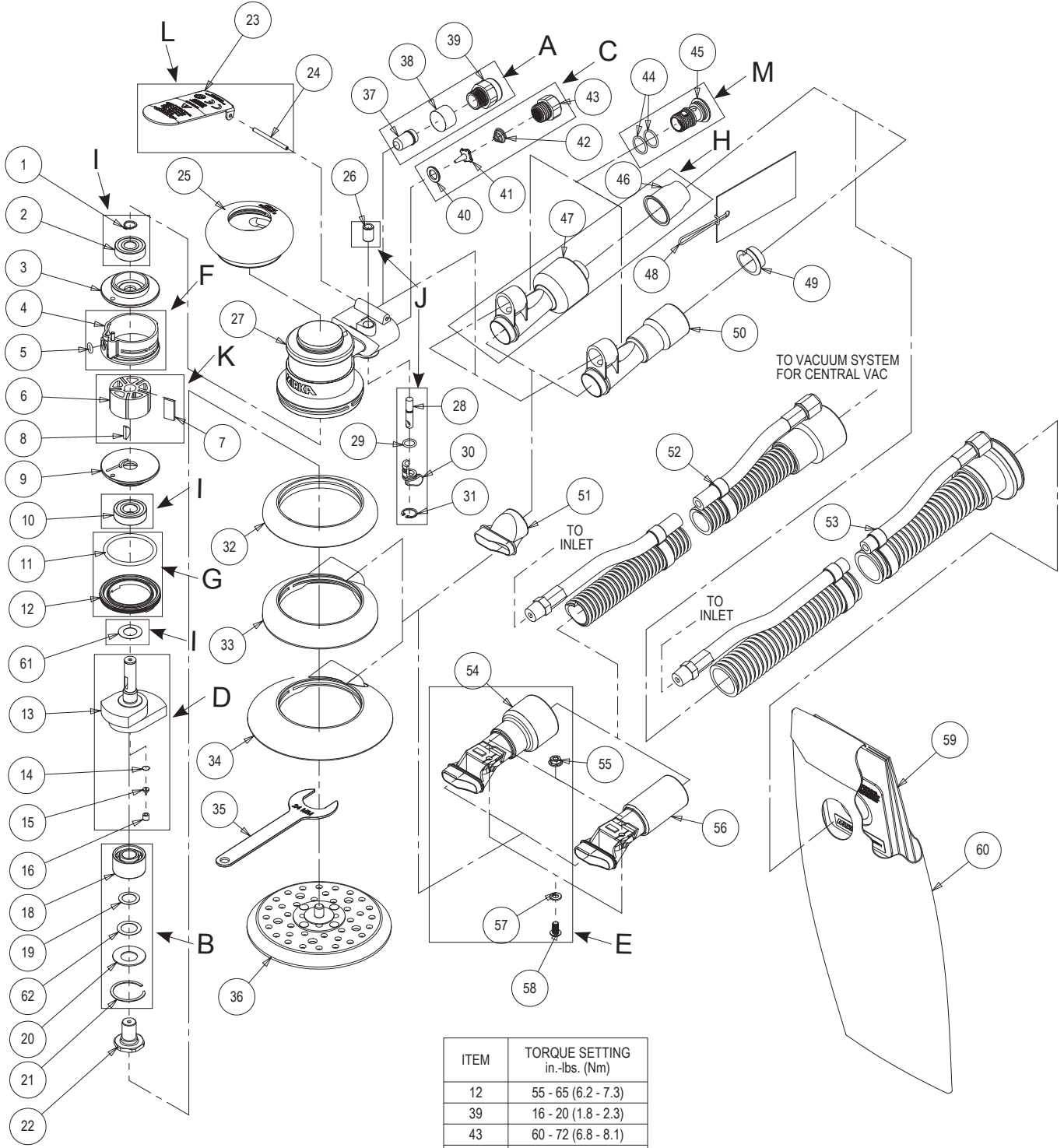




Exploded view of ROS, 125 mm & 150 mm

Updated 21.03.2017



ITEM	TORQUE SETTING in.-lbs. (Nm)
12	55 - 65 (6.2 - 7.3)
39	16 - 20 (1.8 - 2.3)
43	60 - 72 (6.8 - 8.1)
45	36 - 48 (4.0 - 5.4)
58	30 - 35 (3.4 - 3.9)

ROS 125/150 mm Kits

Mirka code	Item	Description	Kit	Part No	QTY
8993017311		Muffler Kit 12 000 rpm		MPA0797	
	37	Internal Muffler (for 12 000 rpm machines)	A	MPA0062	1
	38	Muffler Insert (for 12 000 rpm machines)		MPA0068	1
	39	Muffler Housing		MPA0166	1
8993019711		ROS Spindle Bearing Kit		MPA0802	
	18	Double Row Bearing	B	MPA0938	1
	19	Spacer		MPA0016	1
	20	Washer		MPA0017	1
	21	Retaining Ring		MPA0018	1
	62	Spindle Bearing Dust Shield		MPA2542	1
8993018811		Air Inlet Kit			MPA0798
	40	Seat	C	MPA0009	1
	41	Valve		MPA0007	1
	42	Valve Spring		MPA0014	1
	43	Inlet Bushing		MPA0013	1
8993011811		Shaft Balancer 125 mm/2,5 mm Kit		MPA2189	
	13	125/2.5 mm (3/32 In.) Orbit Airshield™ Shaft Balancer	D	MPB0279	1
	14	Filter		MPA0122	1
	15	Check Valve		MPA0121	1
	16	Retainer		MPA0120	1
8993013911		Shaft Balancer 125 mm/5,0 mm Kit		MPA2187	
	13	125/5 mm (3/16 In.) Orbit Airshield™ Shaft Balancer	D	MPB0277	1
	14	Filter		MPA0122	1
	15	Check Valve		MPA0121	1
	16	Retainer		MPA0120	1
8993015411		Shaft Balancer 125 mm/8,0 mm Kit		MPA3231	
	13	125/8 mm (3/16 In.) Orbit Airshield™ Shaft Balancer	D	MPB0348	1
	14	Filter		MPA0122	1
	15	Check Valve		MPA0121	1
	16	Retainer		MPA0120	1
8993013711		Shaft Balancer 150 mm/2,5 Kit		MPA1670	
	13	150/2.5 mm (3/32 In.) Orbit Airshield™ Shaft Balancer	D	MPB0280	1
	14	Filter		MPA0122	1
	15	Check Valve		MPA0121	1
	16	Retainer		MPA0120	1
8993010611		Shaft Balancer 150 mm/5,0 Kit		MPA0980	
	13	150/5 mm (3/16 In.) Orbit Airshield™ Shaft Balancer	D	MPB0278	1
	14	Filter		MPA0122	1
	15	Check Valve		MPA0121	1
	16	Retainer		MPA0120	1
8993014411		Shaft Balancer 150 mm/8,0 Kit		MPA3232	
	13	150/8 mm (3/16 In.) Orbit Airshield™ Shaft Balancer	D	MPB0334	1
	14	Filter		MPA0122	1
	15	Check Valve		MPA0121	1
	16	Retainer		MPA0120	1
8993006611		Swivel Fitting Kit CV 28 mm		MPA0988	
	54	Supervac™ CV 28 mm (1 In.) Swivel exhaust assembly (Standard For CV)	E	MPA0099	1
	55	Nut		MPA0048	1
	57	Washer		MPA0047	1
	58	Screw		MPA0769	1

ROS 125/150 mm Kits

Mirka code	Item	Description	Kit	Part No	QTY
8993013611		Swivel Fitting Kit CV 19 mm		MPA0987	OPT.
	55	Nut		MPA0048	1
	56	Supervac™ CV 19 mm (¾ In.) Swivel exhaust assembly (Optional For CV)	E	MPA0205	OPT.
	57	Washer		MPA0047	1
	58	Screw		MPA0769	1
8993009211		Cylinder And O-Ring Kit		MPA0994	
	4	Cylinder Assembly	F	MPA0005	1
	5	O-Ring		MPA0042	1
8993007911		Lock Ring And O-Ring Kit		MPA0993	
	11	O-Ring	G	MPA0045	1
	12	Lock Ring		MPA0001	1
8993011311		DB Swivel Fitting Kit		MPA0932	
	46	28mm (1 In.) Hose Seal	H	MPA0778	1
	47	28 mm (1 In.) Hose Supervac™ DB Swivel Exhaust Assembly (Standard For DB))		MPA0410	1
8993019811		Endplate Bearing Kit		MPA0799	
	1	Retaining Ring		MPA0040	1
	2	Bearing	I	MPA0021	1
	10	Bearing		MPA0019	1
	61	Front Bearing Dust Shield		MPA2541	1
8993019011		Speed Valve Kit		MPA0800	
	26	Sleeve		MPA0015	1
	28	Valve Stem Assembly	J	MPA0008	1
	29	O-Ring		MPA0043	1
	30	Speed Control		MPB0014	1
	31	Retaining Ring		MPA0039	1
8993017711		Rotor, Vanes And Key Kit		MPA0801	
	6	Rotor	K	MPB0005	1
	7	Vane		MPA0010	5
	8	Key		MPA0041	1
8993010911		Lever Kit 2,5 mm Orbit		MPA0984	
	23	Lever For 2,5 mm (3/32) Orbit 12 000 rpm machines	L	MPA1698	1
	24	Pin		MPA0031	1
8993010811		Lever Kit 5,0 mm Orbit		MPA0983	
	23	Lever For 5,0 mm (3/16 In) Orbit/12 000 rpm machines	L	MPA1699	1
	24	Pin		MPA0031	1
8993012811		Lever Kit 8,0 mm Orbit		MPA3233	
	23	Lever For 8,0 mm (3/16 In) Orbit/12 000 rpm machines	L	MPA2123	1
	24	Pin		MPA0031	1
8993018911		Retainer+O-Ring Kit For DB Machines		MPA2551	
	44	O-Ring	M	MPA0044	2
	45	DB Retainer		MPA0006	1

Separate parts on next page.

ROS 125/150 mm Spare parts

Mirka code	Item	Description	Kit	Part No	QTY
	1	Retaining Ring	I	MPA0040	1
	2	Bearing	I	MPA0021	1
8993009311	3	Rear Endplate		MPB0017	1
	4	Cylinder Assembly	F	MPA0005	1
	5	O-Ring	F	MPA0042	1
	6	Rotor	K	MPB0005	1
	7	Vane	K	MPA0010	5
	8	Key	K	MPA0041	1
8993009411	9	Front Endplate		MPB0016	1
	10	Bearing	I	MPA0019	1
	11	O-Ring	G	MPA0045	1
	12	Lock Ring	G	MPA0001	1
	13	Shaft Balancer	D	MPB0277	1
	14	Filter	D	MPA0122	1
	15	Check Valve	D	MPA0121	1
	16	Retainer	D	MPA0120	1
	18	Double Row Bearing	B	MPA0938	1
	19	Spacer	B	MPA0016	1
	20	Washer	B	MPA0017	1
	21	Retaining Ring	B	MPA0018	1
8993011611	22	Spindle		MPB0018	1
	23	Lever (3/16 In) Orbit/12,000 rpm Machines	L	MPA1699	1
	24	Pin	L	MPA0031	1
8993013811	25	65 mm (2 1/2 In.) Grip (Optional)		MPA0288	OPT.
8993016011	25	70 mm (2 3/4 In.) Grip (Optional)		MPA0289	OPT.
8993013511	25	75 mm (3 In.) Grip (Standard))		MPA0290	1
	26	Sleeve	J	MPA0015	1
8993007511	27	Housing		MPA0244	1
	28	Valve Stem Assembly	J	MPA0008	1
	29	O-Ring	J	MPA0043	1
	30	Speed Control	J	MPB0014	1
	31	Retaining Ring	J	MPA0039	1
8993014011	32	125/150 mm (5/6 In.) Non-Vacuum Shroud		MPB0012	1
8993006511	33	Supervac™ Shroud For 125 mm (5 In.) Delta, TE, LP And Screen Abrasive Pads		MPC0012	1
8993010011	34	Supervac™ Shroud For 150 mm (6 In.) screen abrasive and LP pads		MPC0073	1
8995604121	35	Mirka Pad Wrench 24mm (supplied with each tool)	-		1
8292605011	36	Backing Pad Net 150mm 5/16" Grip 48H Medium	-		1
8292502011	36	Backing Pad Net 125mm 5/16" Grip 28H Medium	-		1
	37	Internal Muffler (for 12 000 rpm machines)	A	MPA0062	1
	38	Muffler Insert (for 12 000 rpm machines)	A	MPA0068	1
	39	Muffler Housing	A	MPA0166	1
	40	Seat	C	MPA0009	1
	41	Valve	C	MPA0007	1
	42	Valve Spring	C	MPA0014	1
	43	Inlet Bushing	C	MPA0013	1
	44	O-Ring	M	MPA0044	2
	45	DB Retainer	M	MPA0006	1
	46	28mm (1 In.) Hose Seal	H	MPA0778	1
	47	28 mm (1 In.) Hose Supervac™ DB Swivel Exhaust Assembly (Standard for DB))	H	MPA0410	1
	48	19mm (3/4 In.) Hose Seal Tag		MPA0856	OPT.
	48	28mm (1 In.) Hose Seal Tag		MPA0931	1
	49	19mm (3/4 In.) Hose Seal		MPA0854	OPT.
	50	19 mm (¾ In.) Hose Supervac™ DB Swivel Exhaust Assembly (Optional For DB)		MPA0409	OPT.

ROS 125/150 mm Spare parts

Mirka code	Item	Description	Kit	Part No	QTY
8993011511	51	Supervac™ DB Exhaust adapter (For Use With Supervac™ Shroud)		MPC0108	1
8993306711	52	Ø 19 mm (¾ In.) Vacuum hose to Ø 19 mm (¾ In.) x Ø 28 mm (1 In.) Hose adapter coupling and airline assembly includes: MPA0200 Ø 19 mm (¾ In.) x 1.5 M (5 Ft.) Vacuum Hose, MPB0088 19 mm (¾ In.) Hose x 28 mm (1 In.) Hose Adapter, MPA0302 Ø 6.3 mm (¼ In.) x 1.5 M (5 Ft.) Airline with fittings, MPA0301 bungee for Ø 6.3 mm (¼ In.) Airline & Ø 19 mm (¾ In.) Vacuum hose (5)		MPA0300	OPT.
8993039211	52	Ø 28 mm (1 In.) VAC hose to Ø 28 mm (1 In.) x Ø 38 mm (1 ½ In.) Friction fit adapter and airline Assy. (Opt.) Incl.: MPA0034 Ø 28 mm (1 In.) x 1.8 M (6 Ft.) Vacuum hose, MPB0092 Ø 28 mm (1 In) Hose thread x Ø 38 mm (1 ½ In) Friction fit adapter, MPA0033 Ø 6.3 mm (¼ In) x 1.8 M (6 Ft.) Airline with fittings, MPA0027 Bungee for Ø 6.3 mm (¼ In.) Airline & Ø 28 mm (1 In.) Vac.Hose (5)		MPA0392	OPT.
8993006711	53	Ø 28 mm (1 In.) Vacuum hose to Ø 28 mm (1 In.) Double bag fitting and airline assy. (Std for DB) Incl.: MPA0034 Ø 28 mm (1 In) x 1.8 m (6 Ft) Vacuum hose, MPB0123 Ø 28 mm (1 In) Hose to double bag vacuum fitting, MPA0033 Ø 6.3 mm (¼ In) x 1.8 M (6 Ft) airline with fittings, MPA0027 Bungee for Ø 6.3 mm (¼ In.) Airline & Ø 28 mm (1 In.) Vacuum Hose (5)		MPA0412	1
8993041111		Ø 19 mm (¾ In.) Vacuum hose to Ø 19 mm (¾ In.) Double bag fitting and airline assembly (Opt. for DB) Incl.: MPA0200 Ø 19 mm (¾ In) x 1.5 m (5 Ft) Vacuum Hose, MPB0133 Ø 19 mm (¾ In) hose to double bag vacuum fitting, MPA0302 Ø 6.3 mm (¼ In) x 1.5 M (5 Ft) airline with fittings, MPA0301 bungee for Ø 6.3 mm (¼ In) Airline & Ø 19 mm (¾ In) Vacuum Hose (5)		MPA0411	OPT.
	54	Supervac™ CV 28 mm (1 In.) Swivel exhaust assembly (Standard For CV)	E	MPA0099	1
	55	Nut	E	MPA0048	1
	56	Supervac™ CV 19 mm (¾ In.) Swivel exhaust assembly (Optional For CV)	E	MPA0205	OPT.
	57	Washer	E	MPA0047	1
	58	Screw	E	MPA0769	1
8993206511	59	Dustbag Paper		MPA0465	1
8993206011	60	Dustbag Nylon		MPA0658	1
	61	Front Bearing Dust Shield	I	MPA2541	1
	62	Spindle Bearing Dust Shield	B	MPA2542	1